

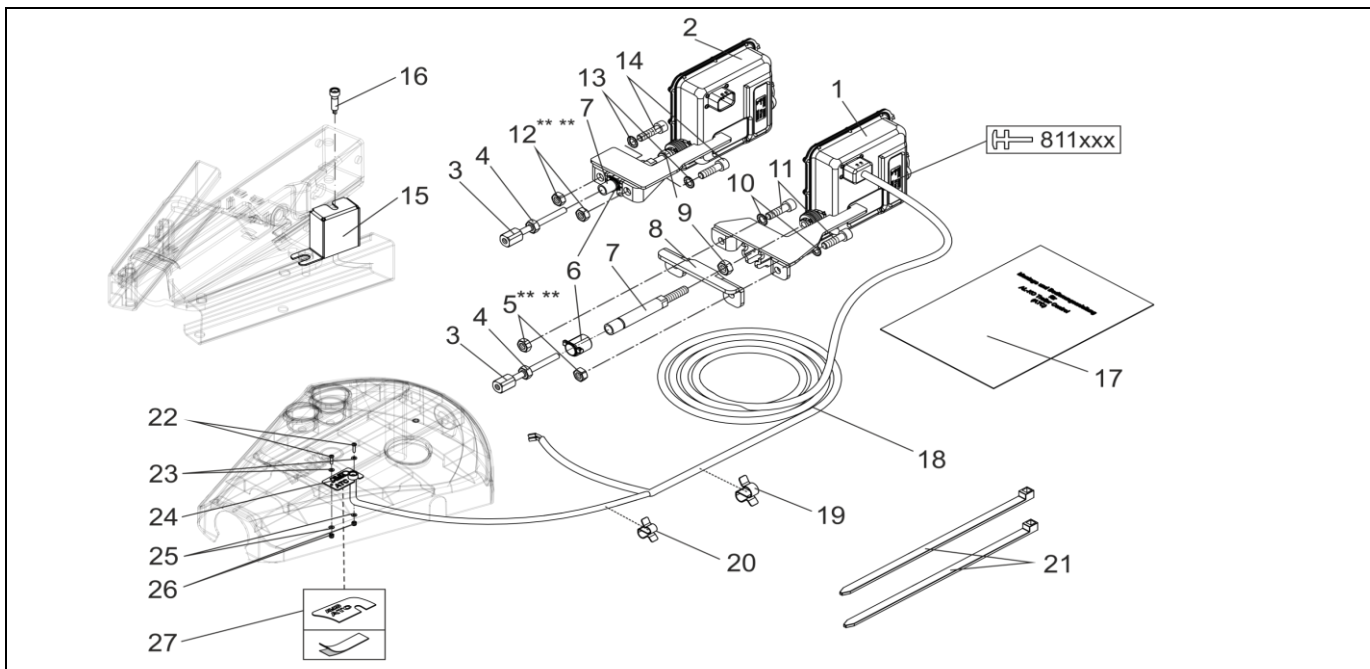
# ATC - AL-KO SINGLE AXLE / TANDEM AXLE AFTER SALES

ETI- No. 811510

(Specify the order with the ETI No.)



Spare Parts



Item	Description	Part No.
1	ATC SINGLE AXLE INCL. ALL ASSEMBLY PARTS 750 - 1300 KG	1223022
	1301 - 1500 KG	1223023
	1501 - 1800 KG	1223287
	1801 - 2000 KG	1225186
2	ATC TANDEM AXLE INCL. ALL ASSEMBLY PARTS 1300 - 1600 KG	1223161
	1601 - 2000 KG	1223162
	2001 - 2500 KG	1223288
3	PUSHER EMERGENCY RELEASE	692166
4	HEX NUT DIN 985-M10-8-A3C	375724
5	HEX NUT DIN 985-M10-10-A3C ** **	700122
6	PLASTIC BUSH	692163
7	PUSHER ADJUSTMENT	692165
8	CONNECTION ANGLE ONLY (SINGLE AXLE)	692177
9	HEX NUT DIN 934-M10-8.8-A3C	700109
10	SERRATED LOCK WASHERS DIN 6798 J 10.5-A3	703460
11	CYLINDER BOLT WITH HEXAGON SOCKET DIN 912-M10X35-8.8-A3C (SINGLE AXLE)	703662
12	HEX NUT DIN 985-M12-10-A3C ** **	702750
13	SERRATED LOCK WASHERS DIN 6798 J 13-A3	704266

Item	Description	Part No.
14	CYLINDER BOLT WITH HEXAGON SOCKET DIN 912-M12X30-8.8-A3C (TANDEM AXLE)	703107
15	LED BRACKET (FOR OVERRUN DEVICE)	692198
16	REPAIR KIT LED FOR ATC	1364288
17	USER MANUAL D, GB, NL, F,.....	1366607
	USER MANUAL D, DK, N, S,.....	1366608
18	CABLE KIT UNIVERSAL WITH LED	1239040
	WIRE SET COMPANY CABBY	1239084
19	CABLE FIXING LARGE	1239081
20	CABLE FIXING SMALL	1239080
21	CABLE RETAINER	1239092
22	OVAL HEAD SCREW ISO 7985-M3X12-4.8-A2	702294
23	WASHER DIN125-A3.2-PA	705691
24	SUPPORT PLATE LED ATC	692196
25	WASHER DIN125-ST-A3.2-A2	705692
26	HEX NUT DIN 985-M3-A2-70	705357
27	SUPPORT PLATE HALFROUND LED ATC SELF-ADHESIVE (NO SCREWS NEEDED!)	1369993

\*\*\* FOR SAFETY REASONS: SELF-LOCKING NUT AND SCREW WITH CHEMICAL SELF-LOCKING MUST BE USED ONCE. AFTER UNTIGHTEN ALWAYS USE A NEW SPARE.

provided	ETI-No.	changed	Change No.	Reason of the change	Revisions-No.
08.11.06	811510_en	25.01.2010	15775	USER MAUAL 1366607/08 WAS 1361006	B
		06.02.2013	17280	DESIGN CHANGED	C